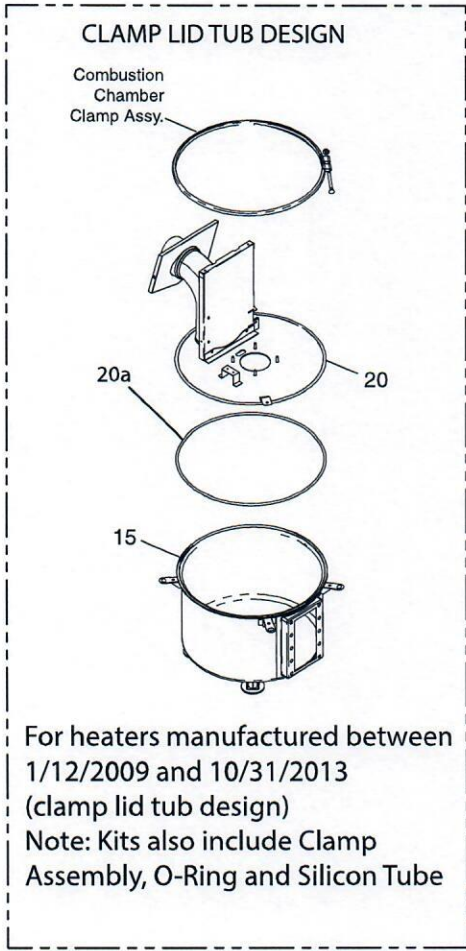
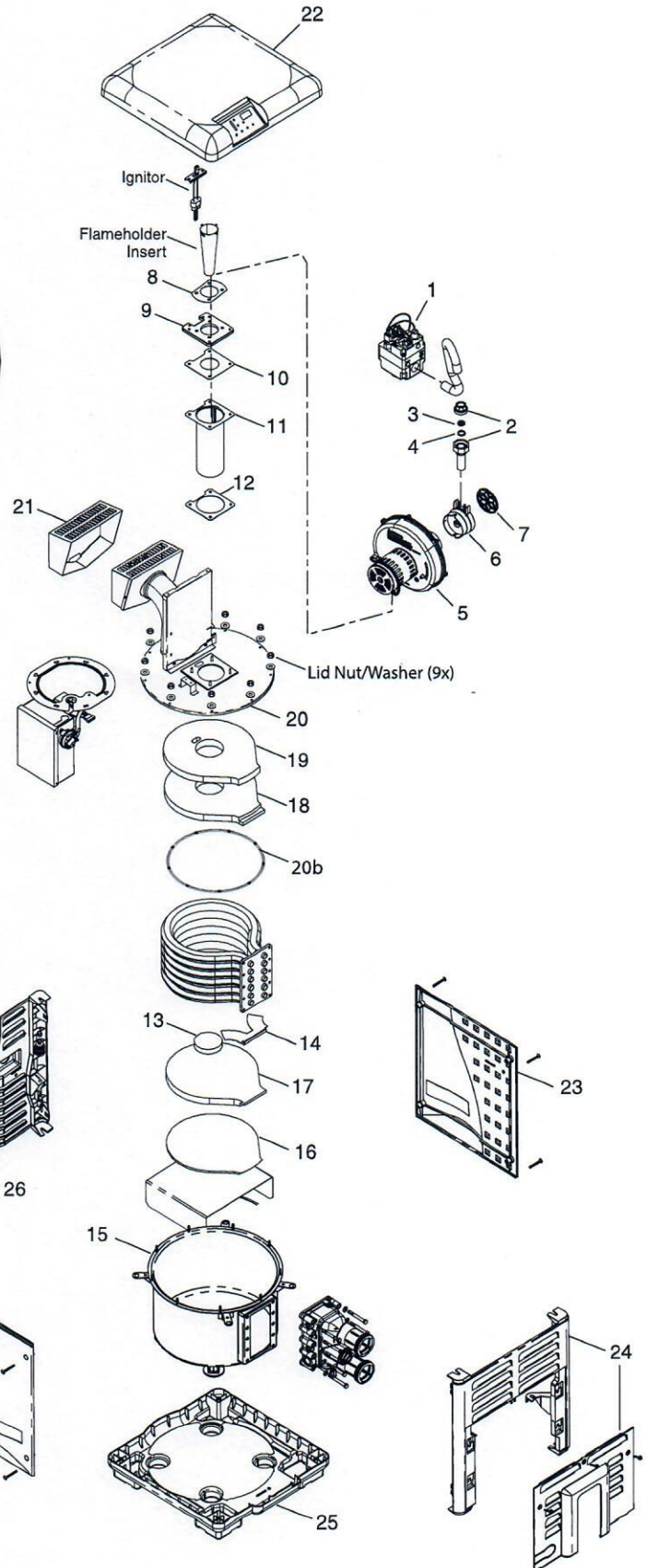
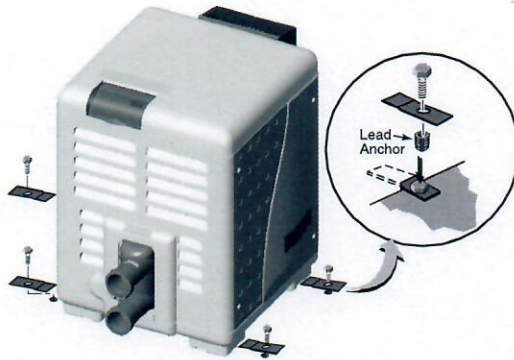


MASTERTEMP® HEATER (CONT'D)

BURNER SYSTEM REPLACEMENT PARTS

For Heater mounting bolts and clamps, purchase separately Bolt Down Bracket Kit, Part No. 460738.



MASTERTEMP® HEATER (CONT'D)

BURNER SYSTEM REPLACEMENT PARTS

Item	Part No.	Description	Qty.
BURNER SYSTEM			
1	42001-0051S	Combination Gas Control Valve Kit	1
2	38404-4097S	3/4 in. Union	2
5	77707-0250	Air Blower Kit - Natural Gas Units (Models 175NA)	1
5	77707-0251	Air Blower Kit - Natural Gas Units (Models 200NA)	1
5	460743	Air Blower Kit - Natural Gas Units (Models 250NA)	1
5	460757	Air Blower Kit - Natural Gas Units (Models 300NA)	1
5	77707-0253	Air Blower Kit - Natural Gas Units (Models 400NA)	1
5	77707-0254	Air Blower Kit - Propane Units (Models 175LP, 200LP)	1
5	460744	Air Blower Kit - Propane Units (Models 250LP)	1
5	460758	Air Blower Kit - Propane Units (Models 300LP)	1
5	77707-0256	Air Blower Kit - Propane Units (Models 400LP)	1
6	See Item #7	Item #6 included in Item #7	
7	460798	Air Orifice Kit - Model 175 (Includes Item Nos. 6 and 7)	
7	77707-0111	Air Orifice Kit - Model 200 (Includes Item Nos. 6 and 7)	1
7	460745	Air Orifice Kit - Model 250 (Includes Item Nos. 6 and 7)	
7	460759	Air Orifice Kit - Model 300 (Includes Item Nos. 6 and 7)	
7	77707-0113	Air Orifice Kit - Model 400 (Includes Item Nos. 6 and 7)	
15	474095	One Piece Metal Chamber/Combustion Chamber Assembly ¹	
15	474957	One Piece Metal Chamber/Combustion Chamber Assembly ²	
20	474094	One Piece Metal Elbow/Combustion Chamber Cover Assembly ¹	
20	474958	One Piece Metal Elbow/Combustion Chamber Cover Assembly ²	
20a	474201	Tub O-Ring Kit ¹	
20b	474952	Tub O-Ring Kit ²	
21	42002-0005S	Metal Vent Cover	
22	42002-0034Z	Heater Top	
23	42002-0039Z	Side Panel (Service Panel) with 4 clips and 4 screws	
24	42002-0033Z	Side Panel (Manifold)	
25	42002-0031Z	Heater Bottom	
26	42002-0032Z	Side Panel (Flue Stack)	
27	42002-0041Z	J Box Cover	
28	474292	7 ea clips and 3 ea screws	
NOT SHOWN			
	461002	Gas Orifice Kit - NG, Model 175 (Incl. Item Nos. 3 and 4) *	
	77707-0431	Gas Orifice Kit - NG, Model 200 (Incl. Item Nos. 3 and 4) *	1
	460739	Gas Orifice Kit - NG, Model 250 (Incl. Item Nos. 3 and 4) *	
	460753	Gas Orifice Kit - NG, Model 300 (Incl. Item Nos. 3 and 4) ¹	
	77707-0411	Gas Orifice Kit - NG, Model 400 (Incl. Item Nos. 3 and 4) *	
	460797	Gas Orifice Kit - Propane, Model 175 (Incl. Item Nos. 3 and 4) *	
	77707-0461	Gas Orifice Kit - Propane, Model 200 (Incl. Item Nos. 3 and 4) *	1

Item	Part No.	Description	Qty.
	460740	Gas Orifice Kit - Propane, Model 250 (Incl. Item Nos. 3 and 4) *	
	460754	Gas Orifice Kit - Propane, Model 300 (Incl. Item Nos. 3 and 4) *	
	77707-0441	Gas Orifice Kit - Propane, Model 400 (Incl. Item Nos. 3 and 4) *	
	460794	NG to Propane Conversion Kit Model 175 (Incl. Item Nos. 3 and 4) *	
	77707-1461	NG to Propane Conversion Kit Model 200 (Incl. Item Nos. 3 and 4) *	1
	460741	NG to Propane Conversion Kit Model 250 (Incl. Item Nos. 3 and 4) *	
	460755	NG to Propane Conversion Kit Model 300 (Incl. Item Nos. 3 and 4) *	
	77707-1441	NG to Propane Conversion Kit Model 400 (Incl. Item Nos. 3 and 4) *	
	460795	Propane to NG Conversion Kit Model 175 (Incl. Key Nos. 3 and 4) *	
	77707-1431	Propane to NG Conversion Kit Model 200 (Incl. Key Nos. 3 and 4) *	1
	460742	Propane to NG Conversion Kit Model 250 (Incl. Key Nos. 3 and 4) *	
	460756	Propane to NG Conversion Kit Model 300 (Incl. Key Nos. 3 and 4) *	
	77707-1411	Propane to NG Conversion Kit Model 400 (Incl. Key Nos. 3 and 4) *	
	77707-0011	Blower/Adapter Plate Gasket Kit (Includes Item Nos. 8, 9, 10, 12)	1
	77707-0202	Flameholder Kit - Model 175, Model 200 (Includes Item Nos. 10, 11, 12 & 13)	1
	460746	Flameholder Kit - Model 250 (Includes Item Nos. 10, 11, 12 & 13 and Flameholder insert)	
	77707-0203	Flameholder Kit - Model 300 (Includes Item Nos. 10, 11, 12, 13 & Flameholder Insert)	
	77707-0204	Flameholder Kit - Model 400 (Includes Item Nos. 10, 11, 12, 13 & Flameholder Insert)	
	77707-0008	Insulation Kit (Includes Item Nos. 13, 14, 16, 17, 18, 19)	1
	42001-0074S	Lower Enclosure Insulation	
	42001-0214S	Metal Vent Cover Assembly	
	461063	Kit Gas Conversion NA to LP - MT125	

* Not included with heater. Order separately.

¹ For Heaters Manufactured Between 1/12/09 and 10/31/13 (Clamp lid tub design).

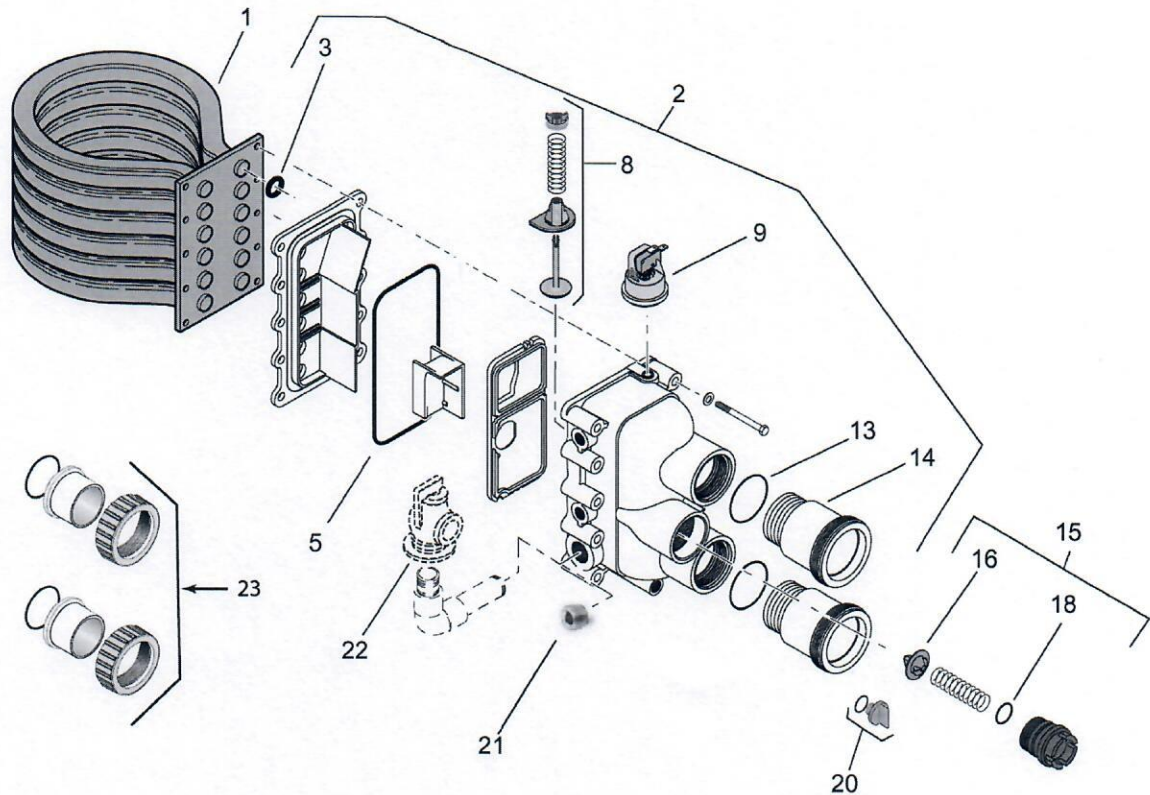
² For Heaters Manufactured After 11/16/13 (New 9-bolt lid tub design).

Note: Kits include Clamp Assembly, O-Ring, and Silicone Tube.

Replacement parts pricing on page 635. Product on page 92-93.

MASTERTEMP® HEATER

WATER SYSTEM REPLACEMENT PARTS



Item	Part No.	Description
WATER SYSTEM		
1	77707-0232	Tube Sheet Coil Assembly Kit (Includes Item No. 3) Models 175NA, 175LP, 200NA, 200LP
1	474058	Tube Sheet Coil Assembly Kit (Includes Item No. 3) Models 175NA, 175LP, 200NA, 200LP ¹
1	460747	Tube Sheet Coil Assembly Kit (Includes Item No. 3) Models 250NA, 250LP
1	474059	Tube Sheet Coil Assembly Kit (Includes Item No. 3) Models 250NA, 250LP ¹
1	77707-0233	Tube Sheet Coil Assembly Kit (Includes Item No. 3) Models 300NA, 300LP
1	474060	Tube Sheet Coil Assembly Kit (Includes Item No. 3) Models 300NA, 300LP ¹
1	77707-0234	Tube Sheet Coil Assembly Kit (Includes Item No. 3) Models 400NA, 400LP
1	474061	Tube Sheet Coil Assembly Kit (Includes Item No. 3) Models 400NA, 400LP ¹
1	77707-0244	Tube Sheet Coil Assembly Kit (Includes Item No. 3) Models 400HDNA, 400HD-LP
1	474065	Tube Sheet Coil Assembly Kit (Includes Item No. 3) Models 400HDNA, 400HD-LP ¹
1	473710	Tube Sheet Coil Assembly Kit - HD Series - (Includes Item No. 3) Models 250HDNA, 250HD-LP
1	474063	Tube Sheet Coil Assembly Kit - HD Series - (Includes Item No. 3) Models 250HDNA, 250HD-LP ¹

¹ For Heaters Manufactured after 1/12/09 (New Tub Design).

Note: Kits include: O-Rings, Insulation, Igniter and Blower Gaskets.

MASTERTEMP® HEATER (CONT'D)

WATER SYSTEM REPLACEMENT PARTS

Item	Part No.	Description
WATER SYSTEM		
2	77707-0014	Manifold Kit (Includes Item Nos. 3-14, 21, and Item Nos. 5-7 in "Electrical System" Models 175NA, 175LP, 200NA, 200LP)
2	460748	Manifold Kit (Includes Item Nos. 3-14, 21, and Item Nos. 5-7 in "Electrical System" Models 250NA, 250LP)
2	77707-0015	Manifold Kit (Includes Item Nos. 3-14, 21, and Item Nos. 5-7 in "Electrical System" Models 300NA, 300LP)
2	77707-0016	Manifold Kit (Includes Item Nos. 3-14, 21, and Item Nos. 5-7 in "Electrical System" Models 400NA, 400LP)
2	474200	Basic Manifold Kit (Includes Item Nos. 3, 5, 10-14)
3	77707-0117	Coil/Tubesheet Sealing O-Ring Kit - Models 175NA, 175LP, 200NA, 200LP (6)
3	460749	Coil/Tubesheet Sealing O-Ring Kit - Models 250NA, 250LP (8)
3	77707-0118	Coil/Tubesheet Sealing O-Ring Kit - Models 300NA, 300LP (10)
3	77707-0119	Coil/Tubesheet Sealing O-Ring Kit - Models 400NA, 400LP (12)
8	77707-0001	Manifold Bypass Valve Kit
9	42001-0060S	Water Pressure Switch
9	473716Z	Water Pressure Switch (Old Header Design ASME) ⁴
13	U9-226	O-Ring
14	77707-0017	Connector Tube Kit (Includes 1 Connector Tube and 1 O-Ring)
15	77707-0010	Thermal Regulator Kit (Incl. Item Nos. 16, 17, 18, 19 and Spring Clip)
16	38000-0007S	Thermal Regulator (Includes Spring Clip)
18	35505-1313	Thermal Regulator Cap O-Ring
20	U178-920P	Drain Plug
21	U78-60ZPS	Zinc Plug 428-60 PS
22	473715Z	Pressure Relief Valve
23	PKG 188	2 in. Union Adapter Package (Includes 2)
	77707-0120	O-Ring Kit (Incl. Item Nos. 3, 5)
ASME KITS		
	472648Z	Bypass Access Plug (ASME)
	77707-0001	Mainfold Bypass Valve Kit ASME
	474096	Heat Exchanger Kit ³ - 400 ASME
	474956	Heat Exchanger Kit ⁵ - 400 ASME
	474953	Heat Exchanger Kit ⁵ - 400 HD ASME
	474350	Heat Exchanger Kit ³ - 400 ASME HD
	474097	Heat Exchanger Kit ³ - 250 ASME
	474954	Heat Exchanger Kit ⁵ - 250 ASME HD
	474955	Heat Exchanger Kit ⁵ - 250 ASME
	474349	Heat Exchanger Kit ³ - 250 ASME HD
	460923	ASME Bypass Valve Kit ⁴ (Old header design)
	461007	ASME Bypass Valve Tool Kit ⁴ (Old header design)
	460924	Thermal Regulator Kit ⁴ (includes Spring clip, ASME, Old header design)

³ For ASME Heaters Manufactured after 3/24/09 (Tub Design w/Clamp Ring).

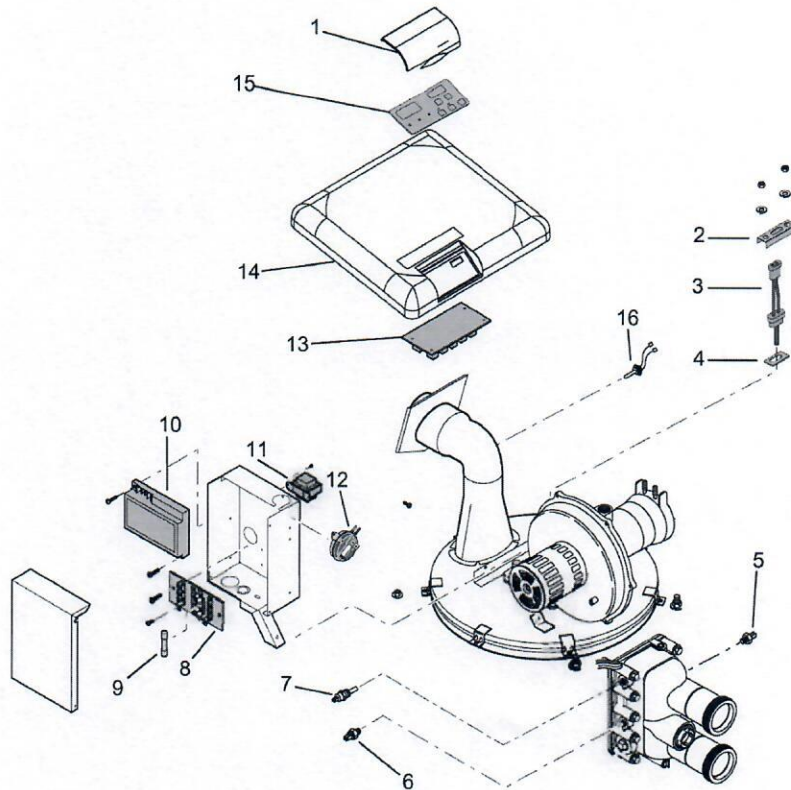
⁴ For ASME Heaters Manufactured prior to 10/2012 (Old Header Design).

⁵ For ASME Heaters Manufactured after 11/16/13 (New 9-Bolt Tub Design).

Note: Kits [New Tub Design] include: Clamp, O-Ring, Silicone Tube, and Insulation (ASME version only).

MASTERTEMP® HEATER (CONT'D)

ELECTRICAL SYSTEM REPLACEMENT PARTS



Item	Part No.	Description
ELECTRICAL SYSTEM		
1	42002-0035Z	Heater Display Cover
2	42001-0030S	Igniter Bracket
3	77707-0054	Igniter/Igniter Gasket Kit, Incl. Item Nos. 3 and 4)
4	42001-0066S	Igniter Gasket
5	42002-0025S	Automatic Gas Shutoff Switch (AGS)
6	42001-0063S	High Limit Switch
7	42001-0053S	Thermistor
8	42001-0056S	Terminal Board
9	32850-0099	Fireman's Switch Fuse (1.25A, 1-1/4 in.)
10	42001-0052S	Ignition Control Module
11	42001-0107S	Transformer, 115/230V
12	42001-0061S	Air Flow Switch
13	42002-0007S	Control Board Kit (NA, LP Series)
14	42002-0034Z	Heater, Top
15	472610Z	Membrane Pad (NA, LP Series)
16	42002-0024S	Stack Flue Sensor
NOT SHOWN		
	42001-0104S	Heater Wiring Harness -115/230V
	42001-0105S	120/240 Volt Plug Kit